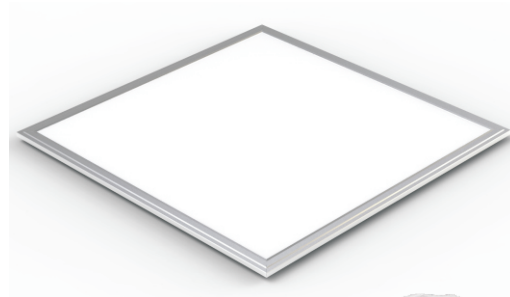


0~10V Dimmable LED Panel Light

300x300mm
600x600mm
620x620mm
300x600mm
300x1200mm
600x1200mm



The 0~10V Dimmable system is applicable to all below 30W panel lights.

Note: Among the model "LVT-Z-PLxxx-30", the "xxx" on behalf of size;
E.G: 300x300mm panel light's corresponding model is "LVT-Z-PL3030-30".

Features



1. The output current can be adjusted via DIP switch, a total of eight current gear for your choice;
2. Push button dimmer, with memory function in case of power-down;
3. 1-10V signal dimming;
4. Dimming can be controlled by multiple controllers working synchronically;
5. High power factor, low THD;
6. Protection features include short circuit, over-temperature, and over-voltage;
7. Life of up to 50,000 hours or more;
8. Comply with CE, UL, CQC certification requirements.

Applications

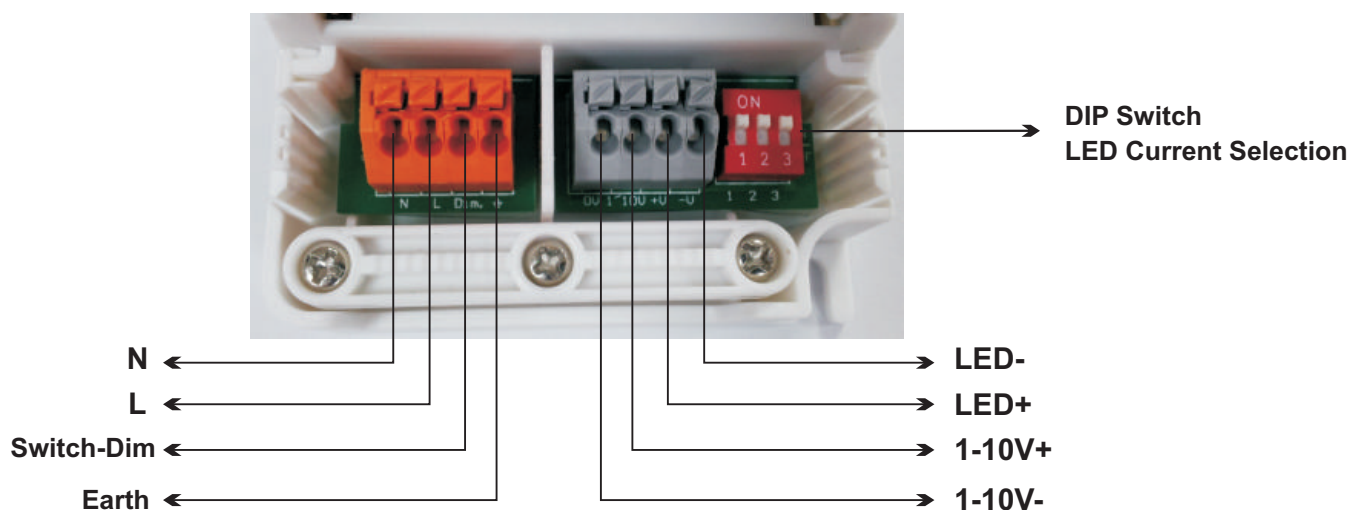


- Hotels
- Conference / Meeting rooms
- Factories & Offices
- Commercial Purposes.
- Residential / Institution Buildings
- Schools, Colleges & Universities
- Hospitals
- Places where energy saving and high color rendering index lighting are needed.

Power supply specifications

Range of AC Input Voltage	200-240VAC
Output Voltage	58VDC Max
Output Current	700mA Max
Current accuracy range	±3%-5%
Power Factor	0.91
AC Inrush Current Test	Cold Boot, <30A&240VAC
Overload Protection	Range: 110- 130% rated output current/Model: Hiccup mode& Automatic recovery
Short Circuit Protection	Hiccup mode& Automatic recovery
Withstand Voltage	I/P-O/P: 1750VAC 5mA
Operating Temperature	-20~50°C
Mean time between failures	>50000H MIL-HDBK-217F 25°C)
Meet the certification	CE UL CQC
Conform to Safety Standards	EN61347-1, EN61347-2-13
PF Value	≥0.91
Harmonic	≤18%
Conversion Efficiency	85%
Shell Size	L103xW67xH26mm

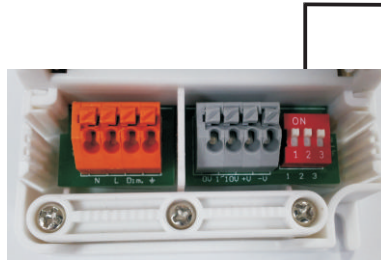
Power functional specifications



Adjust the current by DIP switch

LED Current Selection

Select the appropriate current range with DIP switch.



	1	2	3	电流
I	○	○	○	250mA
II	●	○	○	350mA
III	○	●	○	400mA
IV	○	○	●	450mA
V	●	●	○	500mA
VI	●	○	●	550mA
VII	○	●	●	600mA
VIII	●	●	●	700mA

Synchronous Dimming Function

Multiple powers can dim the light synchronously: up to 10 dimmer controllers can function synchronously, and no any additional devices are needed in this process.

Two ways of connection: push button dimmer and 0-10V signal dimmer. As shown in the following figure:

