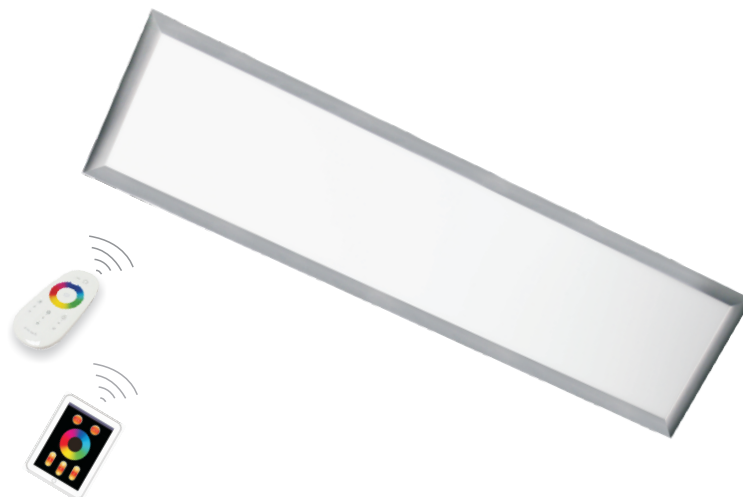


300x1200mm RGB Dimmable panel light series

LVT-PL30120-40-R



Features



- 1.Ultra-thin design, excellent uniformity, elegant button type controller.
- 2.Life span: 50000 hours.
- 3.Wide range of input voltage: AC110-270V .
- 4.Instant start, no noise, no flickering.
- 5.Cool white,warm white adjusting switch freely.
- 6.No electrical wave interference, confirm to the standard of CE.
- 7.No plumbum, green environment friendly, confirm to the standard of RoHS.
- 8.No RF interference.

Applications

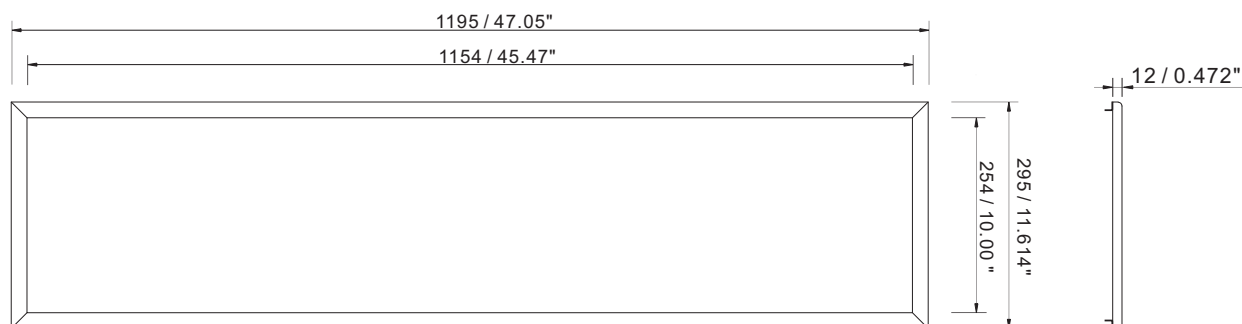


- Hotel
- Meeting Room
- Factory & Office
- Commercial Purpose
- Residential & Institution
- Other lighting location

Specifications

Model #	Color	LED Type	Rated Power Consumption	PCS	IP	Working Voltage	Beam Angle	Weight
LVT-PL30120-40-R	RGB	SMD 5050	40W	120	40	24Vdc	120°	5.2Kg

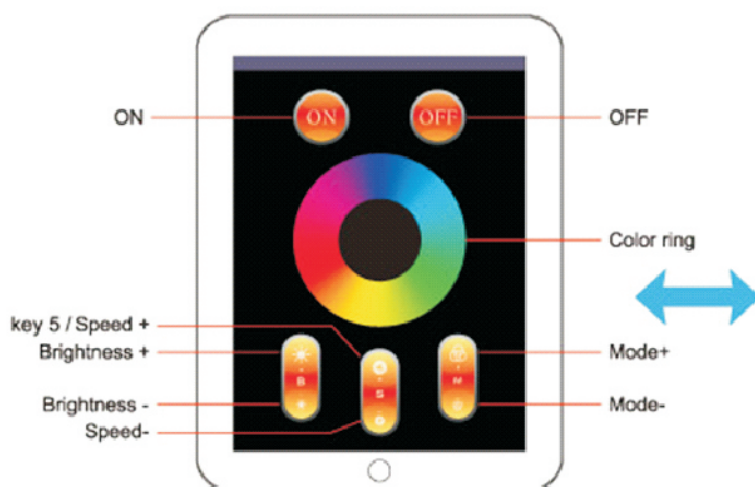
Dimensions (Unit: mm/inch)



Remark: all dimension tolerance is $\pm 0.5\text{mm}$ unless otherwise noted

Controller Parameter

RGB wifi controller



RGB touch controller



Program List

Number	Mode	Brightness state	Speed state
1	Static white	Adjustable	unadjustable
2	White color gradual changes	Adjustable	Adjustable
3	All color gradual change	Adjustable	Adjustable
4	Red/green/blue three color gradual change	Adjustable	Adjustable
5	Seven colors jump to change	Adjustable	Adjustable
6	Three colors jump to change	Adjustable	Adjustable
7	Red/green colors jump to change	Adjustable	Adjustable
8	Red/blue colors jump to change	Adjustable	Adjustable
9	Blue/green colors jump to change	Adjustable	Adjustable
10	White color frequently blinks	Adjustable	Adjustable
11	White color glitters	Adjustable	Adjustable
12	Red color frequently blinks	Adjustable	Adjustable
13	Red color glitters	Adjustable	Adjustable
14	Green color frequently blinks	Adjustable	Adjustable
15	Green color glitters	Adjustable	Adjustable
16	Blue color frequently blinks	Adjustable	Adjustable
17	Blue color glitters	Adjustable	Adjustable
18	Yellow color frequently blinks	Adjustable	Adjustable
19	Yellow color glitters	Adjustable	Adjustable

Notes on using the controller

Code matching:

1. For a new kit (remote&controller), the remote can work only when it is programmed to the controller.
2. Please follow the below instructions:
4. Confirm it is correctly connected between power supply, LED controller and LED load.
5. Switch off the power, then switch on again, and press key 5 once (within 3 seconds) the moment you see the light is on. The LED light blinks twice slowly when it is done.

Code clearing:

1. The code can be cleared as needed.
2. The kit (remote and controller) will stay in the original state after code clearing. And it can work again when code rematching is done.
3. Please follow the below instructions:
4. Confirm it is correctly connected between power supply, LED controller and LED load.
5. Switch off the power, then switch on again, and long press key 5 once (within 3 seconds) the moment you see the light is on. The LED light blinks twice slowly when it is done.

Attention:

1. The regular product for sale is a kit (remote and controller).
2. The user can re-programme freely as needed. One remote can control countless controllers, but one controller can only be controlled by four remotes (Max).
3. Please check the battery installation and controller (totally discharge the power), when you programme after switching off and switch on.

Remarks:

1. Please check whether the input voltage of the constant voltage power supply is in accordance with the controller, and please check the connection of both the cathode and anode, otherwise the controller will be broken;.
2. Please don't connect wires with power on. Please switch on again only when it is in right connection and no short circuit.
3. Please keep your finger off the touch ring when installing the batteries, to improve its sensitivity, and use the remote (3 seconds later) after the batteries are installed. Please reinstall the batteries, if the touch ring is found low-sensitivity.
4. Please do not use the controller in the place with widely range metal area or strong electromagnetic wave nearby, otherwise, the remote distance will be seriously affected.

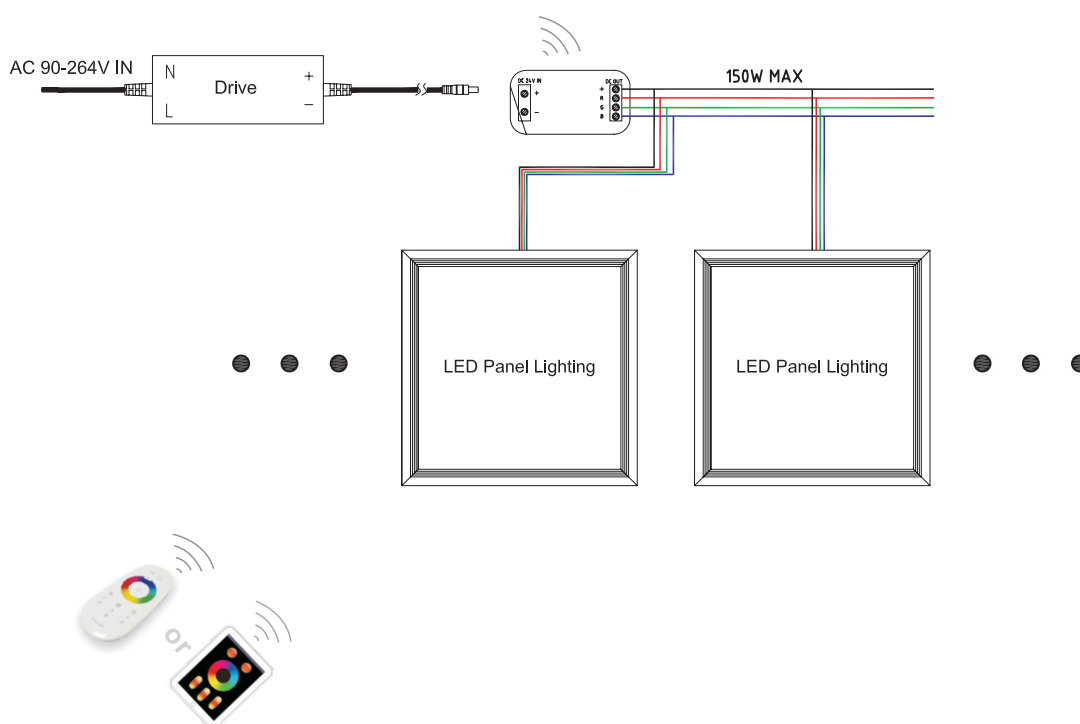
Controller Parameter

Item	Parameter	Remark
Working Voltage	3V	Two AAA size batteries
Transmitting Frequency	2400-2483.5MHz	
Modulation System	GFSK	
Transmitting Power	10db	
Power Consumption	5uA	
Remote-controlled Distance	20-30meter	
Size	110×52×20mm	

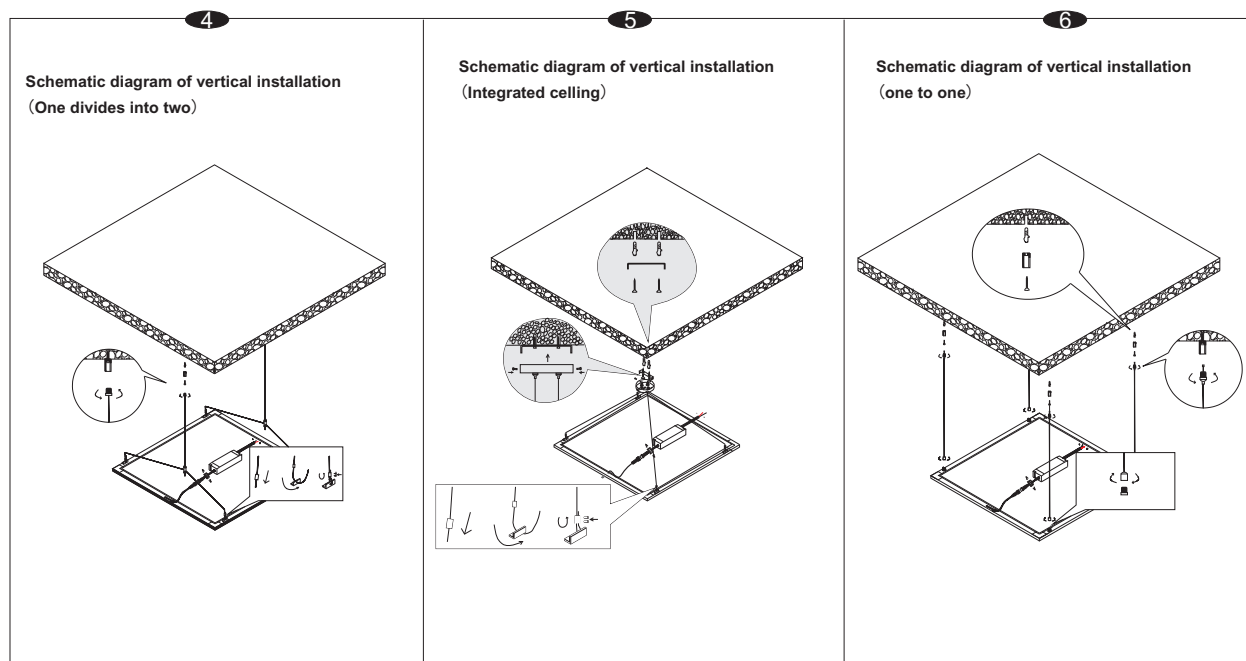
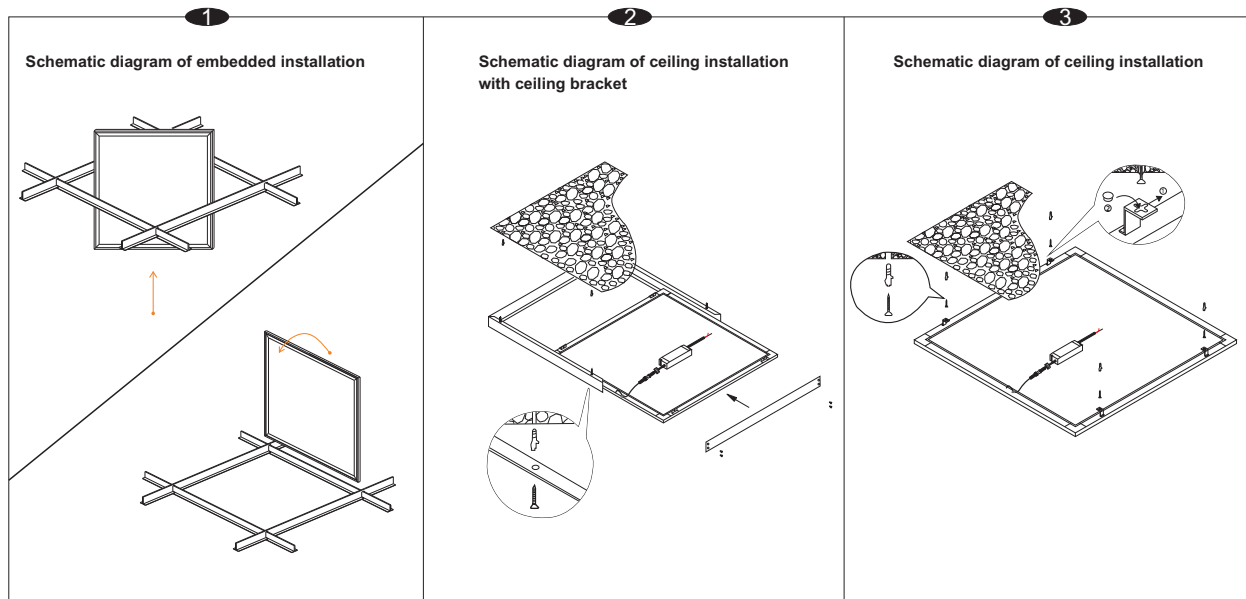
Absolute Maximum Rating

Parameter	Rating	Units
Aluminum Heat sink Temperature	<47	° C
Operating Temperature	-20~+40	° C
Storage Temperature	-20~+80	° C
Equilibrium Temperature	43	° C

Connecting



Installation Instructions



Install instruction

1. Turn off the power switch.
2. Connect the output-terminal with utility power(AC 100-240V)by using wiring unit, make certain that no copper wire is bared.
3. Connect the output-terminal DC plug of current driver with the lamp's DC plug, insure this connection secure.
4. Put the panel light and current driver to the suitable place by convenient installation.
5. Turn on the power switch.

Attention on Installation:

1. Panel lights should be installed by trained electronic technician.
2. Please check all the accessories when open the cartons.
3. The distance between the light and any flammable materials must be more than 0.2m. The distance between the upper part of the installed light and the ceiling must not be less than 2 cm. Do not install into ceilings or walls that contain heat source. The main cable must not connect with the low voltage cable or the surface-mounted lights.
4. Guide the lights' connecting cables through the drilled hole, and fix the surface-mounted lights with the pre-fitted clips. Make sure that these are securely connected to the base material.
5. When laying the cables, make sure that the cables and plugs are not subjected to any tensile or twisting forces. Do not kink cables. Output cables should be laid separately and at a distance from other cables.
6. After installation, connect the transformer to the mains supply
7. Proceed by connecting the wiring cables to the lights. Usually, the brown (or black) wire is the Live wire, connect it with the terminal marked "L". The blue wire is Neutral wire; connect it with the terminal marked "N".
8. Use the dedicated LED drivers only, do not connect to other loads
9. Do not remove the label of the lights and drivers.

Notes on Using:

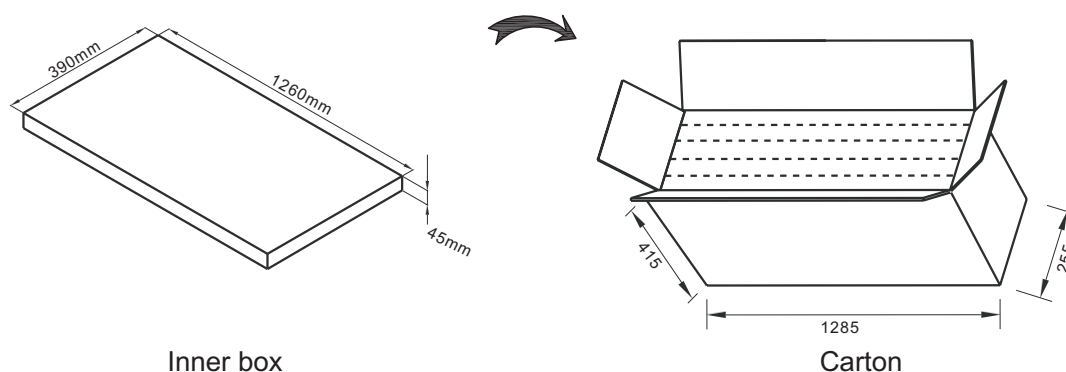
1. Please always use the light out of its package.
2. Before starting use of the light, please check if the light was damaged during transportation. If any damage shown, please DO not install or use it.
3. Any maintenance should be performed by trained professionals only.
4. Keep packaging material away from the reach of children and pets.
5. Caution: Keep children away from the lights, there are some small components that maybe swallowed by children, and never allow them to play with electrical devices.
6. Try to avoid looking directly at lights for a long time. Do not shine the LED light in another person's eyes.
7. Never cover the lights by other objects
8. Keep the panel light away from the flames or heat sources.
9. The lights should be inspected repaired or special treatment if beyond service time.
10. Non-professionals are not allowed to disassemble and maintain the products.
We have the right not to provide after-sale service if unauthorized disassembly and maintenance happens to the products.

Maintenance:

1. Before to clearing the panel lights, please make sure it have been powered OFF.
2. Use a dry or slightly moistened cloth for cleaning.
3. Never use any chemicals or abrasives for cleaning

Packing Specification(mm)

All dimension units are millimeter.



	Inner box Size(mm)	Inner box N.W/pcs (Kg)	Inner box G.W/pcs (Kg)	Carton Size(mm)	Carton Q.ty(pcs)	Carton G.W(Kg)
Carton	1260x390x45	5.2	5.9	1285x415x255	5	29.5

Loevet Lighting CO., Ltd Warranty

Shenzhen Loevet Lighting CO., Ltd offers this product against defects in material or workmanship for 3 years warranty from the date of purchase. If this product is determined to be defective, Loevet will repair or exchange for client's option. This warranty does not cover cosmetic damage or damage due to the acts of God, accident, misuse, abuse, negligence, commercial use, or modification of any parts of the products. This warranty does not cover damage due to improper operation or maintenance, connection to improper voltages supply or attempted repair by anyone than a facility authorized by Loevet to service the product.

Repair or replacement as approved under this warranty is additional compensation of the customer. Loevet should not be liable for any accidental or consequential damages and any explicit or potentially responsible for the warranty of this product, except to the extent prohibited by applicable law, any potential nature of merchantability or fitness for a particular purpose within the warranty period is limited in duration.

The exclusion or limitation of incidental or consequential damages all not allow on some states. Or allow limitations on how long an implied warranty lasts. So above limitation and exclusion are maybe not apply to you. The guarantee has showed detail legal right and you may have other right which vary from state to state.

Only may change, amend or modify the terms of this limited warranty and any such change amendment or modification shall be in writing and sued by by Loevet. To obtain warranty service and shipping information call +866-755-33134380 or email info@lvt-lighting.com. You must provide proof of purchase on the form of a bill of sale or receipted invoice which is evidenced that the product is within the warranty period to obtain warranty service.

Consumers have legal rights under applicable national legislation governing the sale of consumer goods. Such rights are not affected by the warranties provision outlined in this document.