

## Round recessed LED Panel Light

LVT-DL180-12

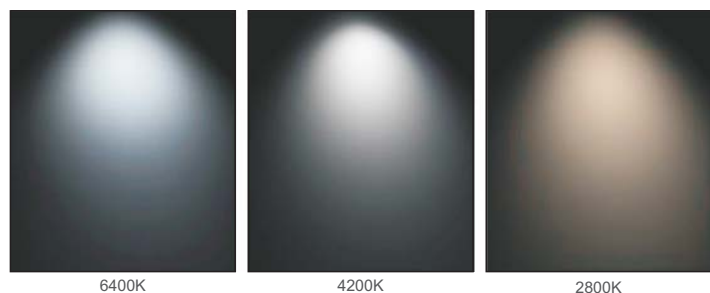


### Features

- Normal luminous efficacy with >75lm/w and excellent light uniformity
- Color: cool white, warm white, other available.
- Color temperature: 5800-6500K(cool white), 3800-4500K(nature white), 2800-3500K(ware white)
- Enclosure material: Die-casting AL
- Reflector: milk color PMMA
- Power factor: >0.9
- Beam angle: 120 degree
- Saving energy: 50%
- Long lifespan: >36,000hrs
- Working voltage AC100-240V,50/60Hz
- LED Source: 2835 SMD LEDs
- No UV, no IR
- Standard warranty: 5 years
- Safety standard: SAA, RoHs, CE, UL, cUL

### Applications

- Hotels
- Conference / Meeting rooms
- Factories & Offices
- Commercial Purposes.
- Residential / Institution Buildings
- Schools, Colleges & Universities
- Hospitals
- Places where energy saving and high color rendering index lighting are needed.

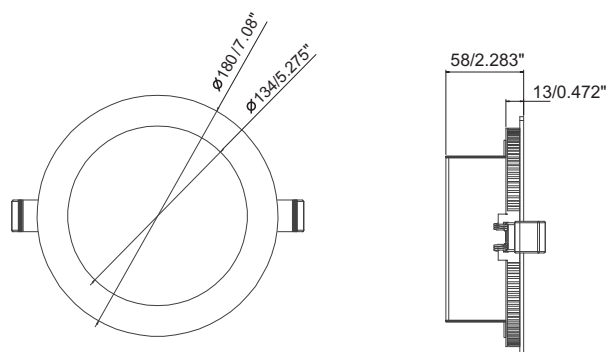


6400K

4200K

2800K

## Dimensions (Unit: mm/inch)



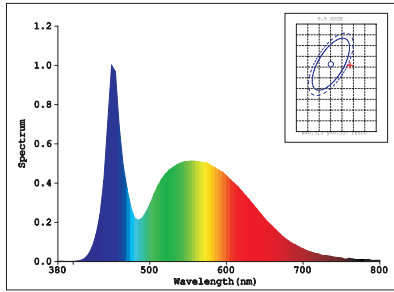
## Specifications

Model #	Color	LED Type	LED Q'ty	CCT	Rated Power Consumption	CRI	Luminous Flux	Working Voltage	Beam Angle	Weight
LVT-DL180-12	Cool White	SMD 2835	63pcs	5800-6500K	12W	>80	971lm	9-36Vdc	120°	0.31kg
	Nature White	SMD 2835	63pcs	3800-4500K	12W	>80	920lm	9-36Vdc	120°	
	Warm White	SMD 2835	63pcs	2800-3500K	12W	>80	898lm	9-36Vdc	120°	

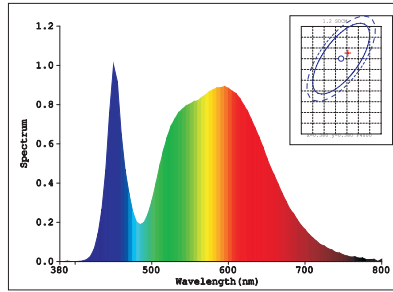
## Driver data Sheet

Driver data	
Input Voltage	AC100-240V
Frequency	50/60HZ
Input rated Voltage	AC100-240V
Efficiency	≥84%
No load wattage	≤1W
Total load Wattage	12W±5%
Power Factor	≥0.9
No load output Voltage range	DC9-36V
Full load output Voltage	DC36V
Rated output current	350mA
Output current range	350mA±5%
Tolerance	±5%
Current output tolerance	±5%
Withstand voltage	AC3750V
Out current ripple	2V
Output Harmonic(THD)	<18%

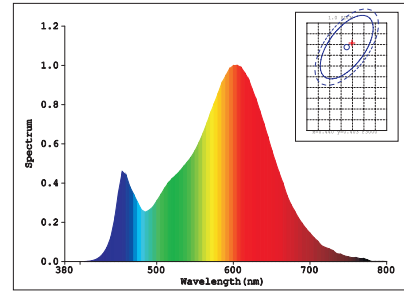
## Light Source Test Report



LVT-DL180-12(CW)

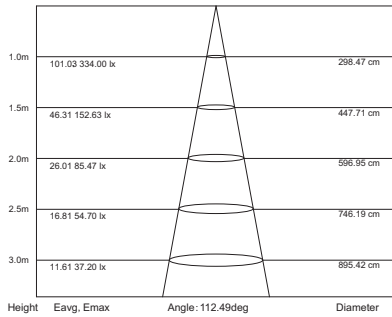


LVT-DL180-12(NW)

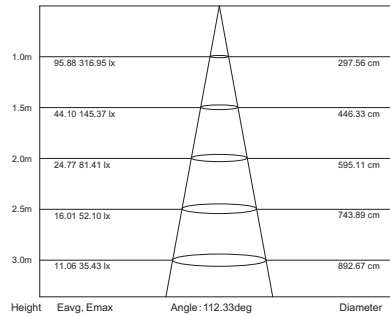


LVT-DL180-12(WW)

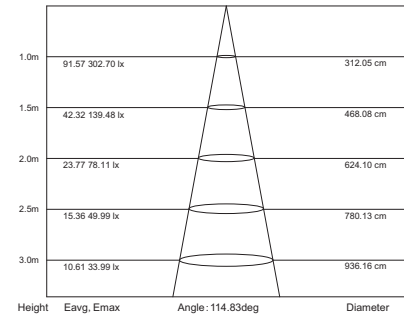
## Average Illuminance Figure



LVT-DL180-12(CW)

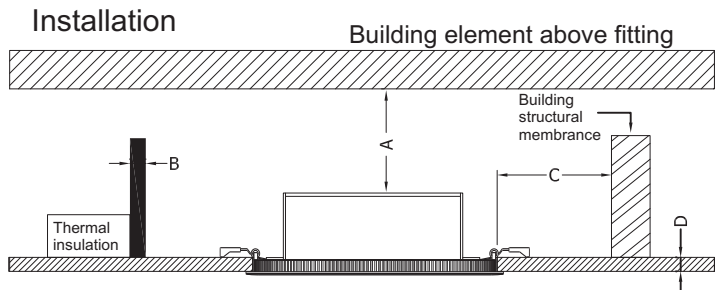


LVT-DL180-12(NW)

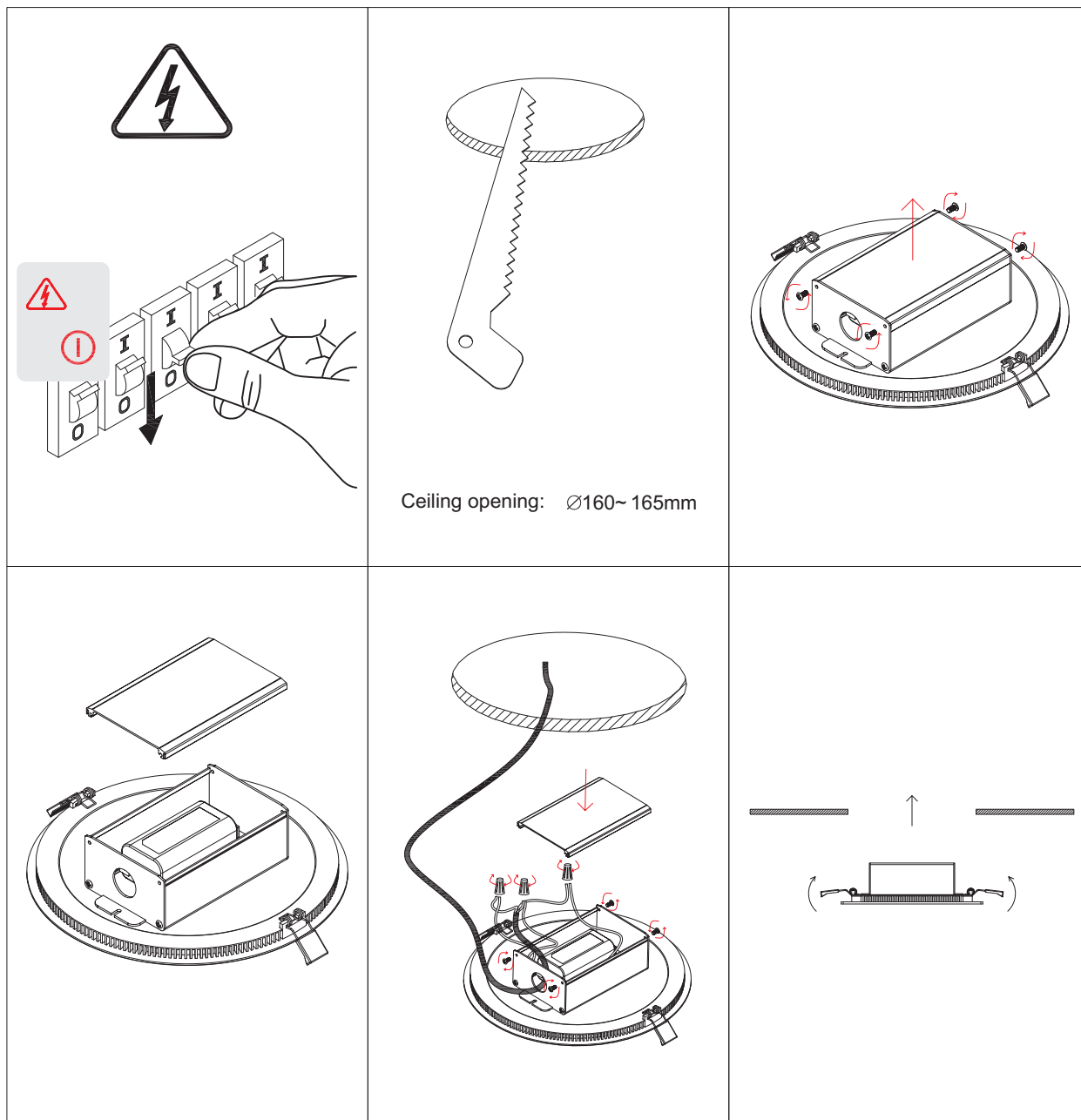


LVT-DL180-12(WW)

## Installation Instructions



Install requirements	
A-gap above the top of the fitting	10mm
B-gap between thermal insulation	30mm
C-side gap to the structural membrane	100mm
D-The thickness of the ceiling	8~20mm



Ceiling opening:  $\varnothing 160 \sim 165 \text{mm}$

## Loevet Lighting CO., Ltd Warranty

---

Shenzhen Loevet CO., Ltd offers this product against defects in material or workmanship for 5 years warranty from the date of purchase. If this product is determined to be defective, Loevet will repair or exchange for client's option. This warranty does not cover cosmetic damage or damage due to the acts of God, accident, misuse, abuse, negligence, commercial use, or modification of any parts of the products. This warranty does not cover damage due to improper operation or maintenance, connection to improper voltages supply or attempted repair by anyone than a facility authorized by Loevet to service the product.

Repair or replacement as approved under this warranty is additional compensation of the customer. Loevet should not be liable for any accidental or consequential damages and any explicit or potentially responsible for the warranty of this product, except to the extent prohibited by applicable law, any potential nature of merchantability or fitness for a particular purpose within the warranty period is limited in duration.

The exclusion or limitation of incidental or consequential damages all not allow on some states. Or allow limitations on how long an implied warranty lasts. So above limitation and exclusion are maybe not apply to you. The guarantee has showed detail legal right and you may have other right which vary from state to state.

Only may change, amend or modify the terms of this limited warranty and any such change amendment or modification shall be in writing and signed by Loevet. To obtain warranty service and shipping information call +86-755-33134683 or email [info@lvt-lighting.com](mailto:info@lvt-lighting.com). You must provide proof of purchase on the form of a bill of sale or receipted invoice which is evidenced that the product is within the warranty period to obtain warranty service.

Consumers have legal rights under applicable national legislation governing the sale of consumer goods. Such rights are not affected by the warranties provision outlined in this document.